



Modular Cooking Range Line thermaline 80 - 700 mm Open base, GN conform, 1 Side (H2) - H=450

ITEM # _____

MODEL # _____

NAME # _____

SIS # _____

AIA # _____



588326 (MAIBCAG000) Open Base, one-side
operated, GN - H2

Short Form Specification

Item No. _____

700 mm wide open passthrough base compartment to store pots, pans, sheet pans, etc. with hygienic design and round edges. Unit constructed according to DIN 18860_2 with 70 mm recessed plinth. Internal frame for heavy duty sturdiness in stainless steel. Flat surface construction, easily cleanable. storage space in the base accepts GN 1/1 containers.

IPX5 water resistant certification.

Configuration: Two-side operated freestanding base, hygienic class H2.

Main Features

- IPX5 water resistance certification.
- All major components may be easily accessed from the front.
- THERMODUL connection system creates a seamless work top when units are connected to each other thus avoiding soil penetrating vital components and facilitating the removal of units in case of replacement or service.
- Unit constructed according to DIN 18860_2 with 70 mm recessed plinth.

Construction

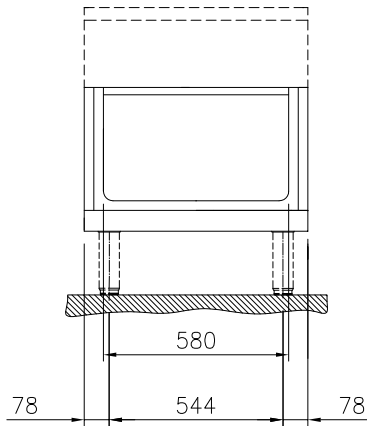
- Hygienic design of the open base compartment with large round edges.
- 2 mm top in 1.4301 (AISI 304).
- Flat surface construction with minimal hidden areas to easily clean all surfaces
- Internal frame for heavy duty sturdiness in stainless steel.
- Storage space in the base of the appliance that can accept GN1/1 containers.

APPROVAL: _____

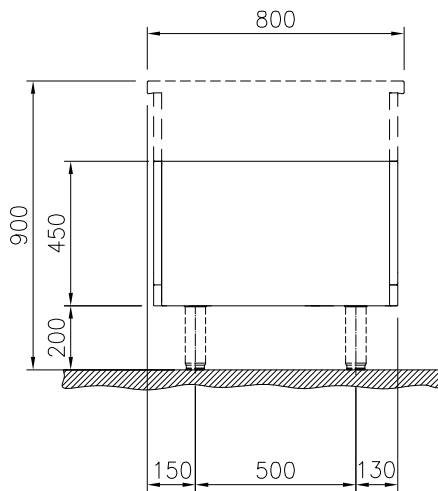


Experience the Excellence
www.electroluxprofessional.com

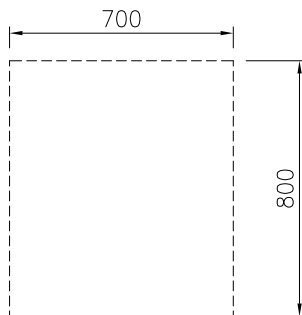
Front



Side



Top


Key Information:

External dimensions, Width:	
588326 (MA1BCAG000)	700 mm
External dimensions, Depth:	800 mm
External dimensions, Height:	450 mm
Cupboard Cavity Dimensions (width):	580 mm
Cupboard Cavity Dimensions (height):	330 mm
Cupboard Cavity Dimensions (depth):	740 mm
Net weight:	19 kg

Optional Accessories

- Stainless steel side panel, 800x700mm, freestanding PNC 912509
 - Stainless steel front kicking strip, 700mm width PNC 912633
 - Stainless steel side kicking strip left and right, freestanding, 800mm width PNC 912655
 - Stainless steel side kicking strip left and right, against the wall, 800mm width PNC 912658
 - Stainless steel side kicking strip left and right, back-to-back, 1610mm width PNC 912661
 - Stainless steel plinth, against wall, 700mm width PNC 912843
 - Stainless steel plinth, freestanding, 700mm width PNC 912862
 - Stainless steel panel, 800x700mm, against wall, left side PNC 913093
 - Stainless steel panel, 800x700mm, against the wall, right side PNC 913097
 - Back panel, 700x450mm, for bases one-side operated PNC 913166
 - Stainless steel side panel, left, H=700 PNC 913214
 - Stainless steel side panel, right, H=700 PNC 913215
 - Perforated shelf for warming cabinets and cupboard bases (one-side operated TL80-85-90 and two-side operated for TL80) PNC 913234
 - Side reinforced panel only in combination with side shelf, for freestanding units PNC 913258
 - Side reinforced panel only in combination with side shelf, for against the wall installations, left PNC 913263
 - Side reinforced panel only in combination with side shelf, for against the wall installations, right PNC 913265
 - Side reinforced panel only in combination with side shelf, for back-to-back installations, left PNC 913271
 - Side reinforced panel only in combination with side shelf, for back-to-back installation, right PNC 913272
 - Shelf fixation for TL80-85-90 one-side operated, TL80 two-side operated PNC 913281
 - Stainless steel dividing panel, 800x700mm, (it should only be used between Electrolux Professional thermaline Modular 80 and thermaline C80) PNC 913668
- Stainless steel side panel, 800x700mm, flush-fitting (it should only be used against the wall, against a niche and in between Electrolux Professional thermaline and ProThermetic appliances and external appliances - provided that these have at least the same dimensions) PNC 913684